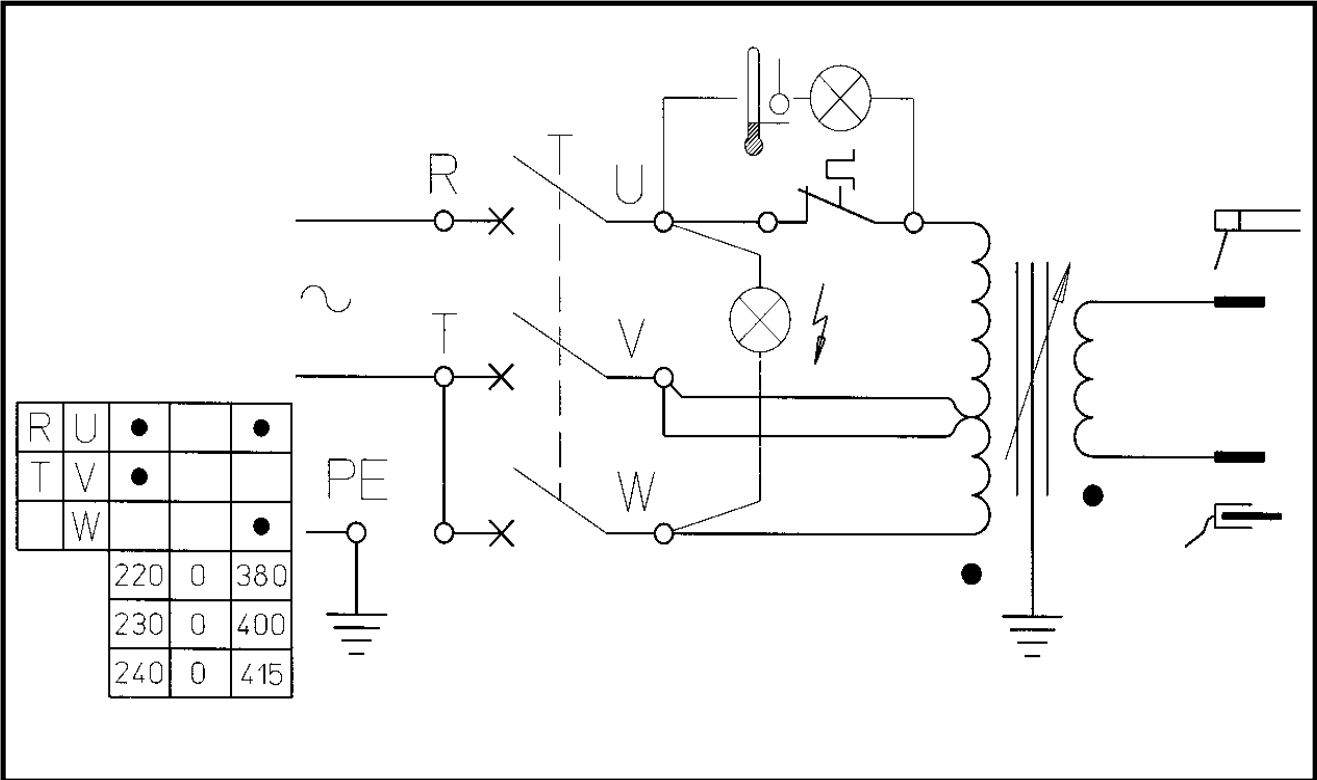


SCHEMA ELETTRICO



	CODIFICA COLORI CABLAGGIO ELETTRICO	WIRING DIAGRAM COLOUR CODE	FARBENCODIERUNG ELEKTRISCHE SCHALTPLAN	CODIFICATION COULEURS SCHEMA ELECTRIQUE	CODIFICACION COLORES CABLAJE ELECTRICO
A	NERO	BLACK	SCHWARZ	NOIR	NEGRO
B	ROSSO	RED	ROT	ROUGE	ROJO
C	GRIGIO	GREY	GRAU	GRIS	GRIS
D	BIANCO	WHITE	WEISS	BLANC	BLANCO
E	VERDE	GREEN	GRÜN	VERT	VERDE
F	VIOLA	PURPLE	VIOLETT	VIOLET	VIOLA
G	GIALLO	YELLOW	GELB	JAUNE	AMARILLO
H	BLU	BLUE	BLAU	BLEU	AZUL
K	MARRONE	BROWN	BRAUN	MARRON	BRUNO
J	ARANCIO	ORANGE	ORANGE	ORANGE	NARANJO
I	ROSA	PINK	ROSA	ROSE	ROSA
L	ROSA-NERO	PINK-BLACK	ROSA-SCHWARZ	ROSE-NOIR	ROSA-NEGRO
M	GRIGIO-VIOLA	GREY-PURPLE	GRAU-VIOLETT	GRIS-VIOLET	GRIS-VIOLA
N	BIANCO-VIOLA	WHITE-PURPLE	WEISS-VIOLETT	BLANC-VIOLET	BLANCO-VIOLA
O	BIANCO-NERO	WHITE-BLACK	WEISS-SCHWARZ	BLANC-NOIR	BLANCO-NEGRO
P	GRIGIO-BLU	GREY-BLUE	GRAU-BLAU	GRIS-BLEU	GRIS-AZUL
Q	BIANCO-ROSSO	WHITE-RED	WEISS-ROT	BLANC-ROUGE	BLANCO-ROJO
R	GRIGIO-ROSSO	GREY-RED	GRAU-ROT	GRIS-ROUGE	GRIS-ROJO
S	BIANCO-BLU	WHITE-BLUE	WEISS-BLAU	BLANC-BLEU	BLANCO-AZUL
T	NERO-BLU	BLACK-BLUE	SCHWARZ-BLAU	NOIR-BLEU	NEGRO-AZUL
U	GIALLO-VERDE	YELLOW-GREEN	GELB-GRÜN	JAUNE-VERT	AMARILLO-VERDE